



The DS2400N is a compact laser scanner offering improved reading performance, excellent flexibility and full on-board connectivity options with PROFINET, EtherNet/IP and Ethernet TCP/IP protocols. The versatile DS2400N scanner is purpose-built for automatic warehousing and factory automation applications. The DS2400N combines best in class optics with the next generation of code reconstruction algorithms, delivering superior performance on low quality codes or damaged labels. With on-board Ethernet ports and switch capability, the DS2400N can be networked into PROFINET line or ring topologies for system redundancy. With EDS-AOP setup tools, configuring the EtherNet/IP fieldbus communication is simple and easy. Through PROFINET, the DS2400N can be configured via the modular structure contained in the GSDML file. Parameters are stored in the GSDML file, providing automatic configuration for failed or replaced devices.

Thanks to an innovative rotating connector block, the DS2400N minimizes its mechanical dimensions offering a flexible form factor during installation. Embedding switches, dual PROFINET parts, and a rotating connector block are a few of the unique features that define the Datalogic DS2x00N family. Innovative software features provide easy and simple scanner installation and replacement.



IDENTIFICATION



HIGHLIGHTS

- Embedded Ethernet connectivity
- Two PROFINET Ports
- Embedded Ethernet Switch
- Line topology
- Rotating connector block
- Compact dimensions
- Installation flexibility and optimum form factor
- ACR: Advanced Code Reconstruction
- Excellent performance on low quality and damaged labels
- Up to a 600 mm (23.6 in) reading distance

APPLICATIONS

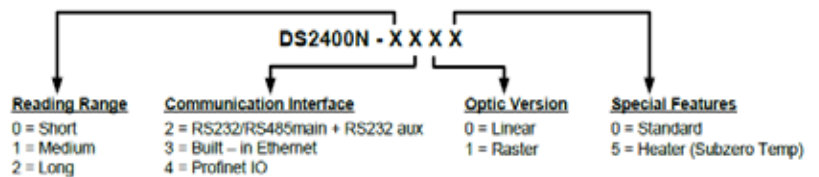
- Automatic warehouses
- Factory automation
- Automatic picking systems
- Process control and packaging
- Print & apply systems

TECHNICAL DATA

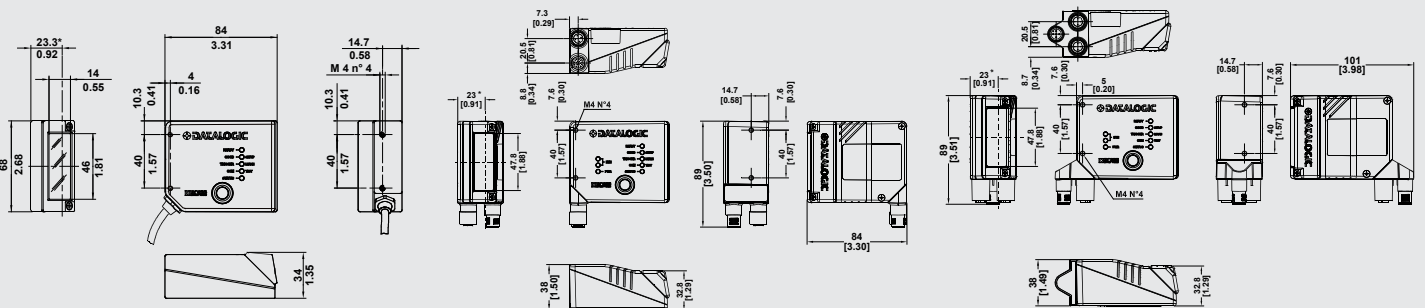
INDUSTRIAL LASER BAR CODE SCANNERS	DS2400N-X2XX	DS2400N-X3XX	DS2400N-X4XX
Reading Distance (Min / Max)		70 - 600 mm (2.76 - 23.62 in)	
Max Resolution		up to 0.12mm (5 mils)	
Scan Rate		500 - 1000 scans/s	
Scan Pattern Type		Linear / Raster	
Aperture Angle		60 degrees	
Multilabel Reading		Up to 10 Codes in the same reading phase	
Reconstruction Code Technology		ACR Advanced Code Reconstruction	
Readable Codes		Code 12of5, Code39, Code93, Code128, EAN/UPC, EAN128, Codabar, Pharmacode, Plessey, ISBT128	
Case Material		Aluminum	
Dimensions (Typical Value)	84 x 68 x 34 mm (3.3 x 2.7 x 1.3 in)	104 x 69 x 38 mm (4.1 x 2.7 x 1.5 in)	104 x 86 x 38 mm (4.1 x 3.4 x 1.5 in)
Weight	330g (11.64 oz)	281 g (10 oz.)	308 g (10.9 oz.)
Temperature Range		0° - 45 °C (32 - 113 °F)	
Voltage Supply/Power Consumption		10-30 VDC; 4 W (average)	
IP Rating		IP65	
Embedded Communication Interfaces	Main port RS232/RS422/RS485 Auxiliary port RS232 ID-NET RS485 multidrop	EtherNet/IP, Ethernet TCP/IP Main port RS232/RS422/RS485 Auxiliary port RS232 ID-NET RS485 multidrop	PROFINET, Ethernet TCP/IP
Digital Inputs	2 Input (optocoupled, NPN/PNP)	2 Input (optocoupled, NPN/PNP)	Not Applicable / via PROFINET Fieldbus
Digital Outputs	2 Outputs (optocoupled)	2 Outputs (non-optocoupled)	Not Applicable / via PROFINET Fieldbus
Id-Net™ Interface		✓	
Fieldbus	✓ with CBX, QLM external devices	Embedded Ethernet-IP / compatible with CBX, QLM external devices	Embedded Profinet with internal switch (2 Ports)
Ethernet	✓ with CBX, QLM external devices	Embedded Ethernet TCP-IP / compatible with CBX, QLM external devices	Embedded PROFINET with internal switch (2 Ports)
Xpress Interface™		✓	
Device Programming		Genius™ (Windows™ based) SW	

ACCESSORIES

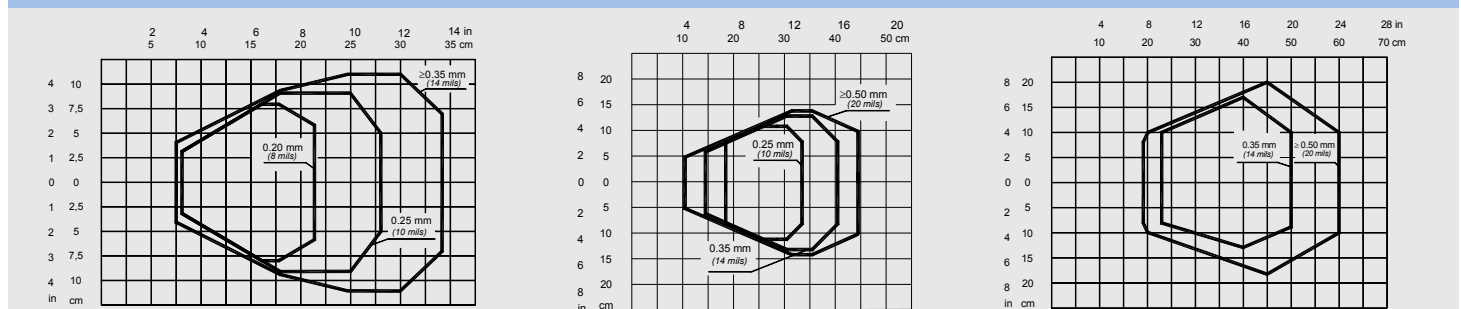
ACCESSORY	DESCRIPTION	PN
OM2000N	Oscillating Mirror	93ACC1783
GFC-200	85° Contact Reading Mirror	93A201108
GFC-2100	2KN 90° Lateral Output Window	93A201000
GFC-2020	102° Lateral Output Mirror	93ACC1871



DIMENSIONS



READING DIAGRAMS



Legacy Technology Services

We Rent & Sell All Types Of Barcode Equipment

Call now to talk to an expert

866-271-9891

www.LegacyGlobal.com

Some brands we carry



MOTOROLA

Intermec

DATALOGIC™

Honeywell

EQUINOX
PAYMENTS



About us

- Legacy Technology Services is a leading nationwide provider of mobile computing, barcode, printers and point of sale equipment and services.
- For over a decade, thousands of clients across North America have trusted us to provide equipment from leading manufacturers backed by the services to support them.

Latest Hardware from top manufacturers

- Legacy handles virtually every major manufacturer of mobile computing, barcoding and point of sale equipment.

Expert Repair and Maintenance services

- Legacy is one of the best repair facilities in North America

Discontinued product sourcing

- They don't make it anymore? Our inventory also includes manufacturer close-outs and discontinued equipment to support our clients legacy infrastructure.

Trade-in and Disposal services

- That old equipment laying around your facility may still have some value. Legacy routinely purchases equipment from our clients around the globe.
 - Data destruction
 - Hardware disposal
 - Auditing services

Dedicated client account team

- Dedicated, highly trained account managers are here to answer all your questions and provide top notch service.

Equipment rental services

- Sometimes renting is a better solution, Legacy's huge rental inventory provides the equipment you need for temporary needs and projects.



Legacy, Inc.

160 West Road,
Ellington, CT 06029

Toll Free: 866-271-9891

Fax: 888-522-4684